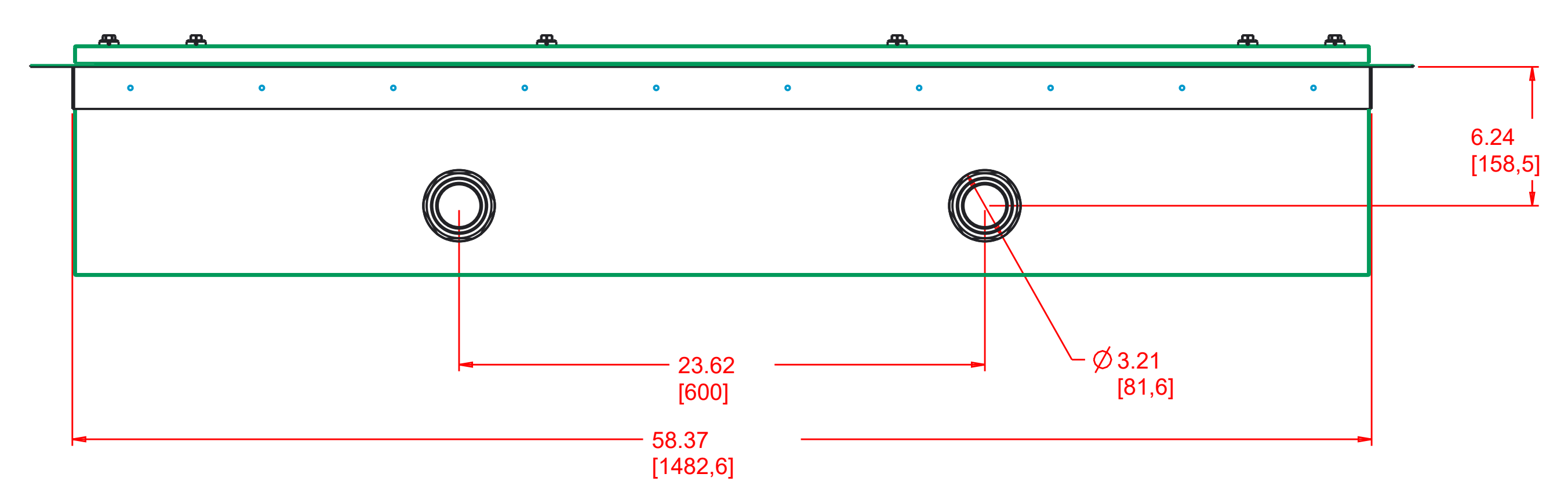
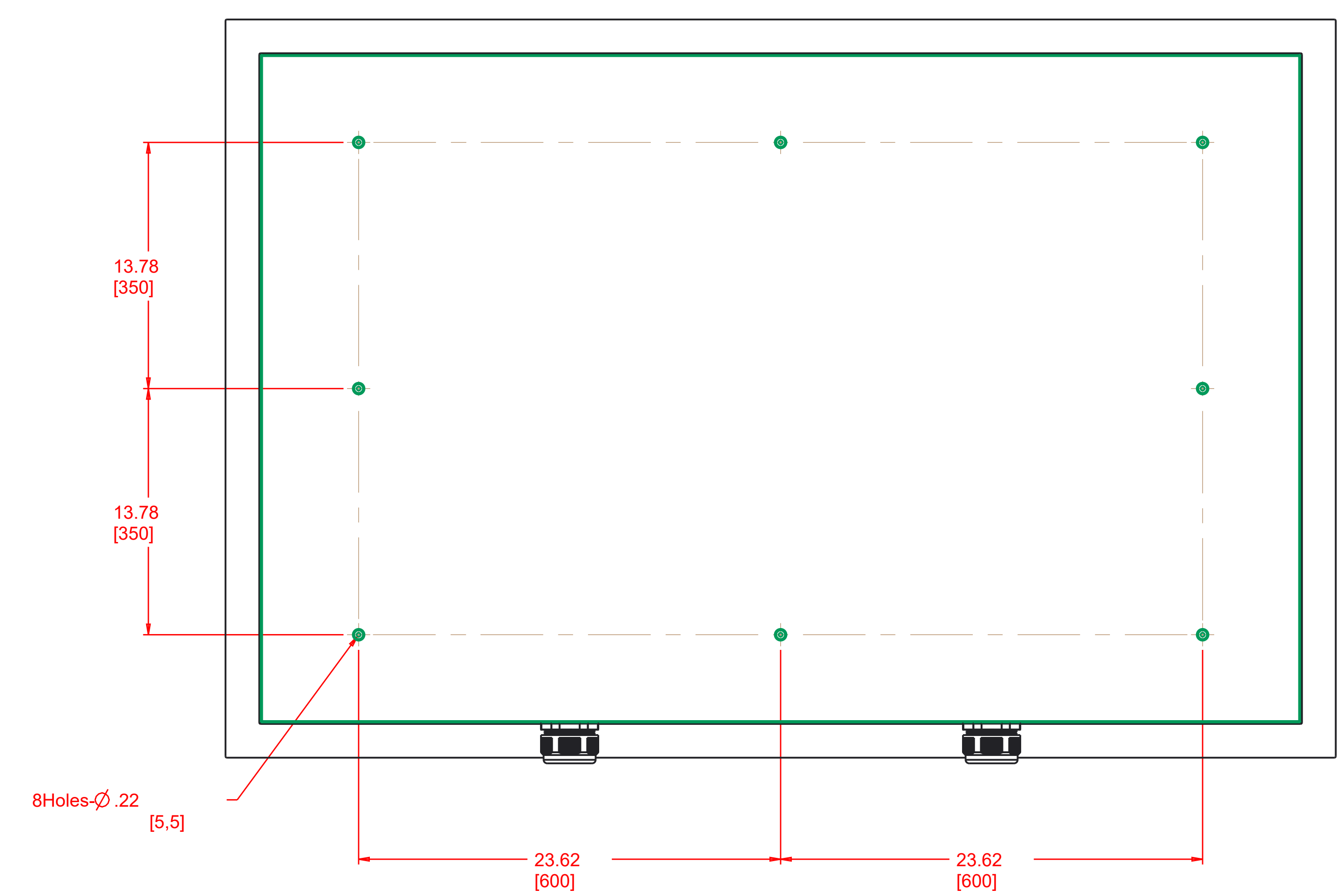
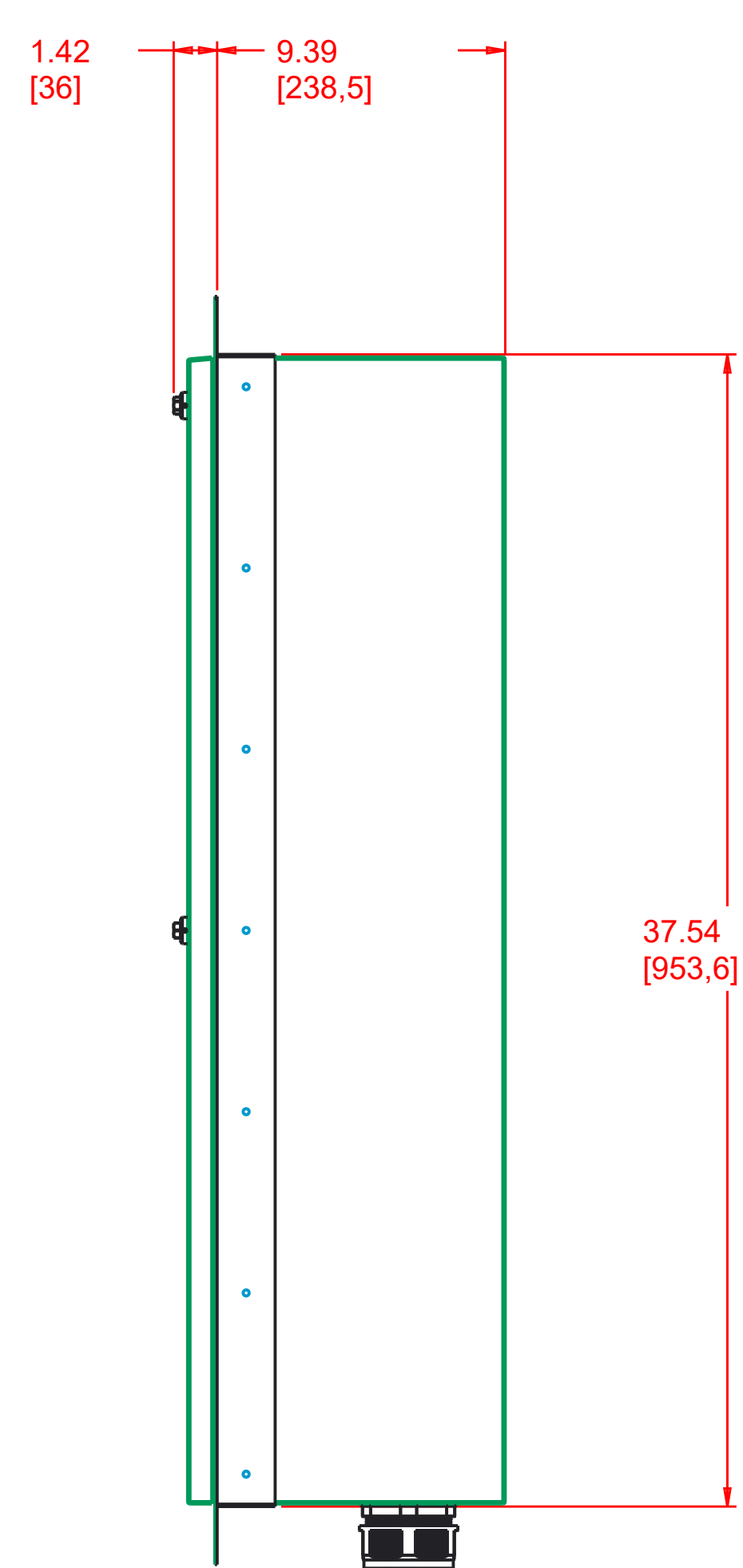
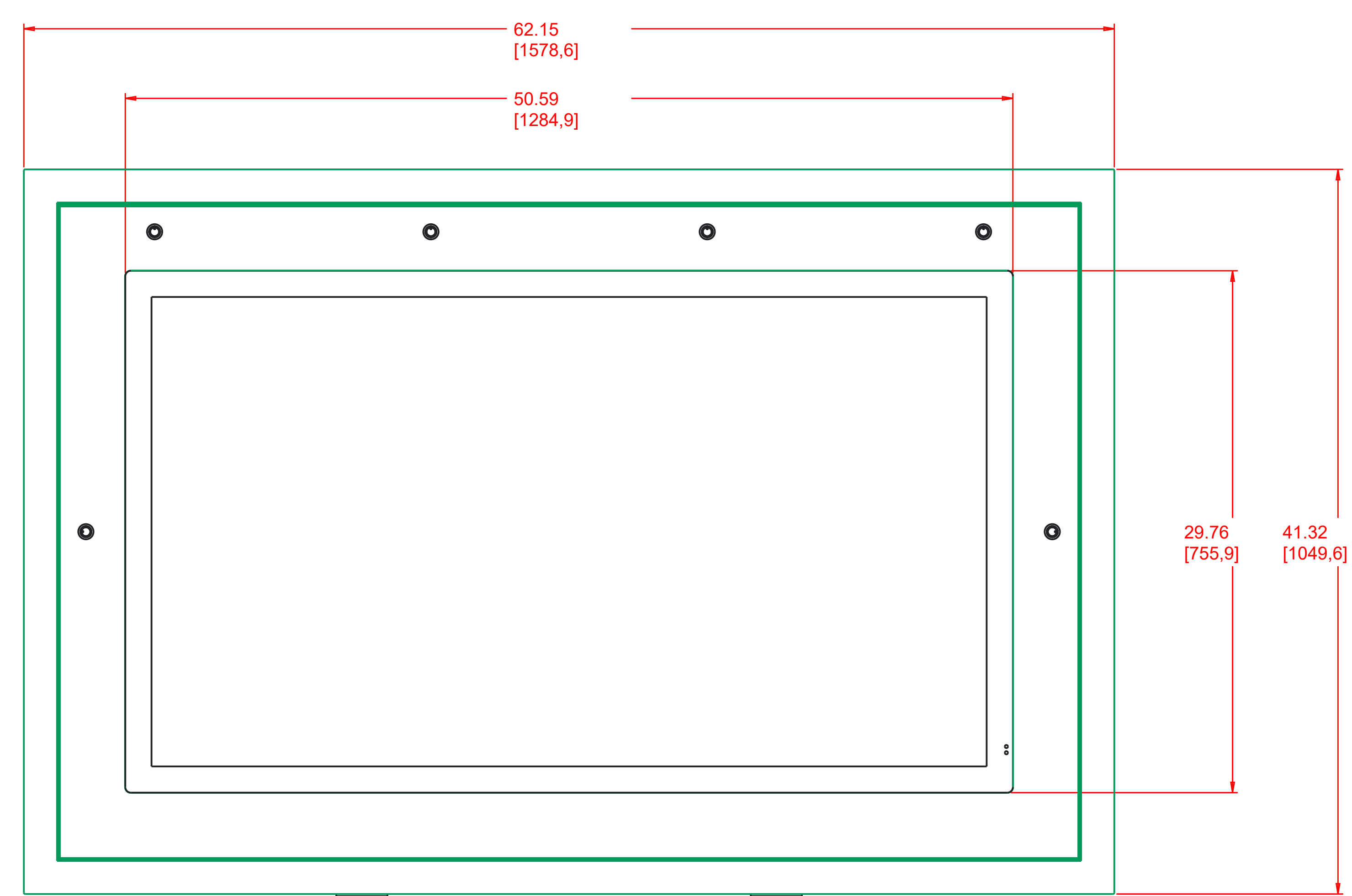
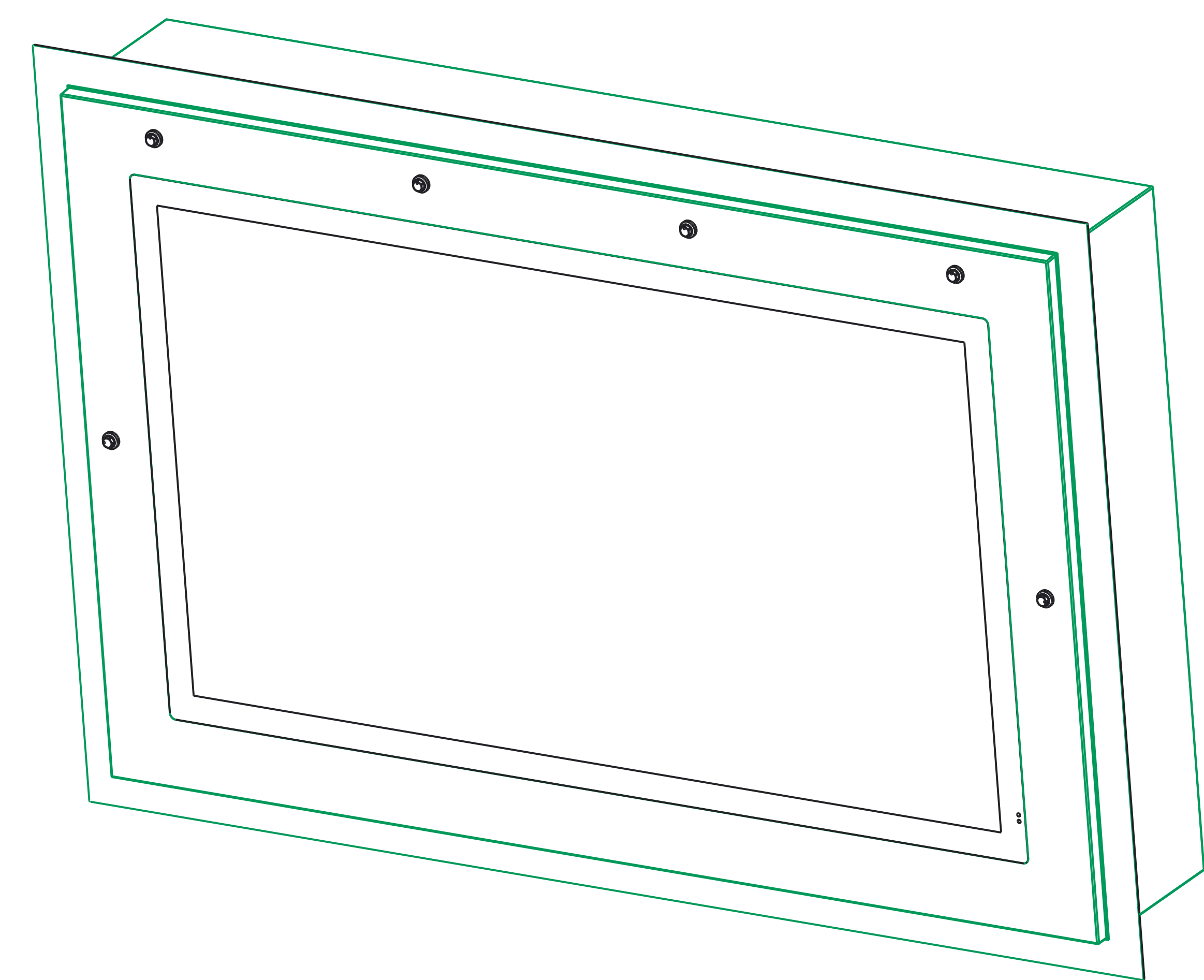


PARTS LIST			
ITEM	QTY	DESCRIPTION	P/N



UNITS: inch/mm

ZONE	REV	DESCRIPTION	DATE	APPROVED

TOLERANCES			
	A	B	C
0-30mm	±0.1	±0.25	±0.6
31-120mm	±0.15	±0.45	±1.1
121-250mm	±0.3	±0.9	±2.8
251-500mm	±0.5	±1.5	±5.5

The information disclosed on this document is the exclusive property of ARISTA CORPORATION. Reproduction, disclosure, or the use of this document or information without the written permission of ARISTA CORPORATION is prohibited.

REVISIONS			

ARISTA CORPORATION 41300 Bayview Rd, Fremont, CA 94538		TITLE <b>AMA-7155AX ASSEMBLY DIMENSION</b>	
DATE E	FROM NO.	DWG NO.	REV
DESIGN	SCALE 0.200	REV. NO.	SHEET OF